

SLD-1300-9MM

Superluminescent light source for fiber transmission systems, fiberoptic gyros, fiberoptic sensors, optical coherence tomography, optical measurements.



Optical and electrical characteristics:

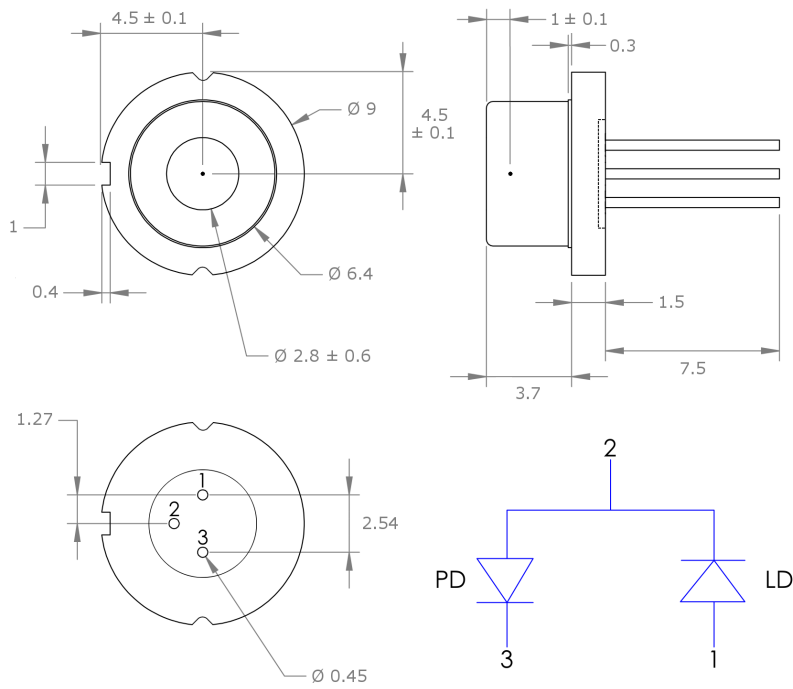
Parameter	Symbol	Test condition	Min.	Typ.	Max.	Unit
Optical Power	P_f	CW	5			mW
Forward Current	I_f	P_f		150	300	mA
Forward Voltage	V_f	P_f			2.5	V
Center Wavelength	λ_c	P_f	1290	1300	1310	nm
Spectral Width	$\Delta\lambda_c$	P_f	20	25		nm
Monitor Current	I_m	P_f	20		2000	μ A
PD Dark Current	I_d	$V_{rd}=5V$			0.1	μ A

Absolute maximum ratings:

Parameter	Symbol	Rating	Unit
Forward Current	I_f	350	mA
Reverse Voltage	V_r	1.8	V
PD Reverse Voltage	V_{rd}	7	V
Minimum Operation Case Temperature	T_{ol}	-40	$^{\circ}$ C
Maximum Operation Case Temperature	T_{oh}	70	$^{\circ}$ C
Minimum Storage Temperature	T_{sl}	-40	$^{\circ}$ C
Maximum Storage Temperature	T_{sh}	70	$^{\circ}$ C

Packaging:

9mmTO:	
№	Parameter
1	LD anode +
2	LD -, PD -, case
3	PD cathode +



Emission spectrum:

