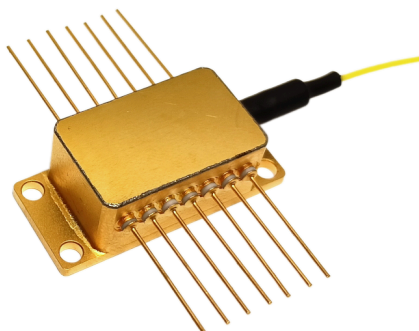


FPL-860-14BF



Single mode Fabry-Perot laser diode module designed for optical measurement and communication. The laser is packaged in Butterfly package with monitor photodiode and thermo-electric cooler (TEC). Module is pigtailed with 0.5-0.9 m of single mode or polarization maintaining (optional) fiber and connectorized by FC/PC connector.

Optical and electrical characteristics:

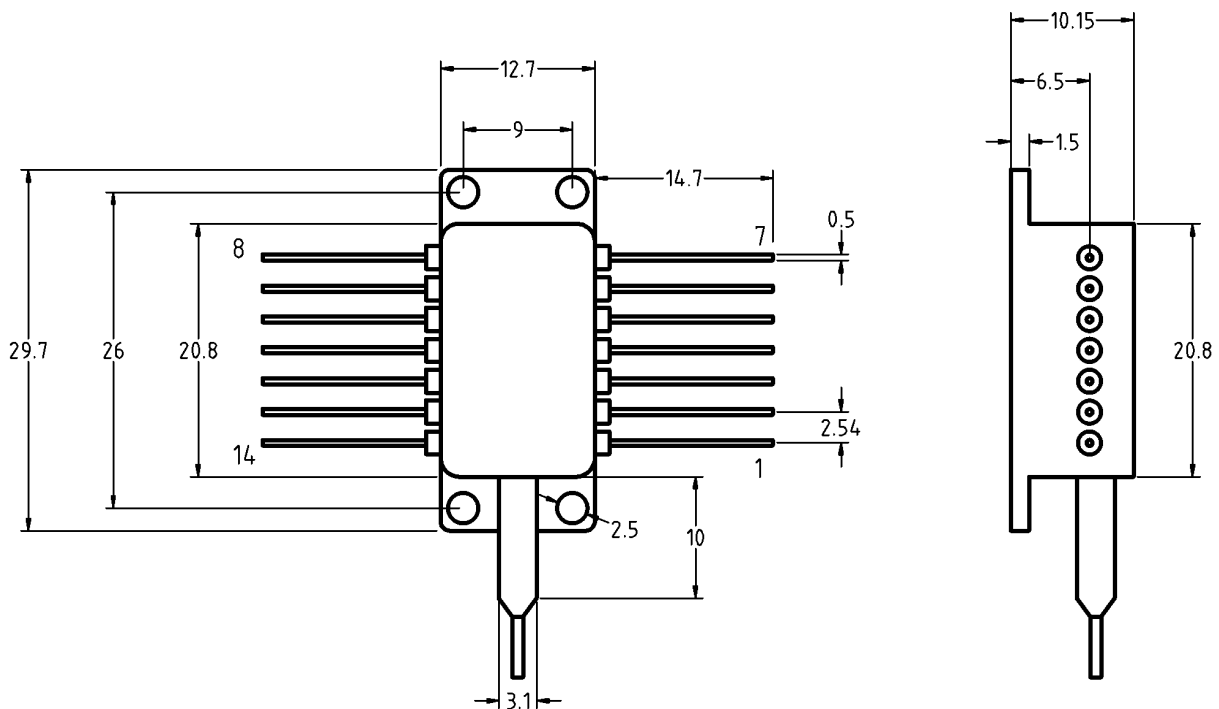
Parameter	Symbol	Test condition	Min.	Typ.	Max.	Unit
Optical Power	P_f	CW	20	25		mW
Pulsed Optical Power	P_{fp}	Pulse, $\tau=10\mu s$, $D=1\%$		60		mW
Threshold Current	I_{th}		20		60	mA
Forward Current	I_f	P_f		100	150	mA
Pulsed Forward Current	I_{fp}	P_{fp} , $\tau=10\mu s$, $D=1\%$		250		mA
Forward Voltage	V_f	P_f			2.5	V
Center Wavelength	λ_c	P_f	850	860	870	nm
Spectral Width	$\Delta\lambda_c$	P_f		1	3	nm
Monitor Current	I_m	P_f	20		500	μA
PD Dark Current	I_d	$V_{rd}=5V$			0.1	μA
TEC Current	I_t	I_t			1.4	A
TEC Voltage	V_t	$TC=70^\circ C$			2.7	V
Thermal Resistance	R_0	$T=25^\circ C$, $B=3900\pm 100K$	9.5	10	10.5	k Ω
Extinction Ratio (PM fiber)	X_p	P_f	20			dB

Absolute maximum ratings:

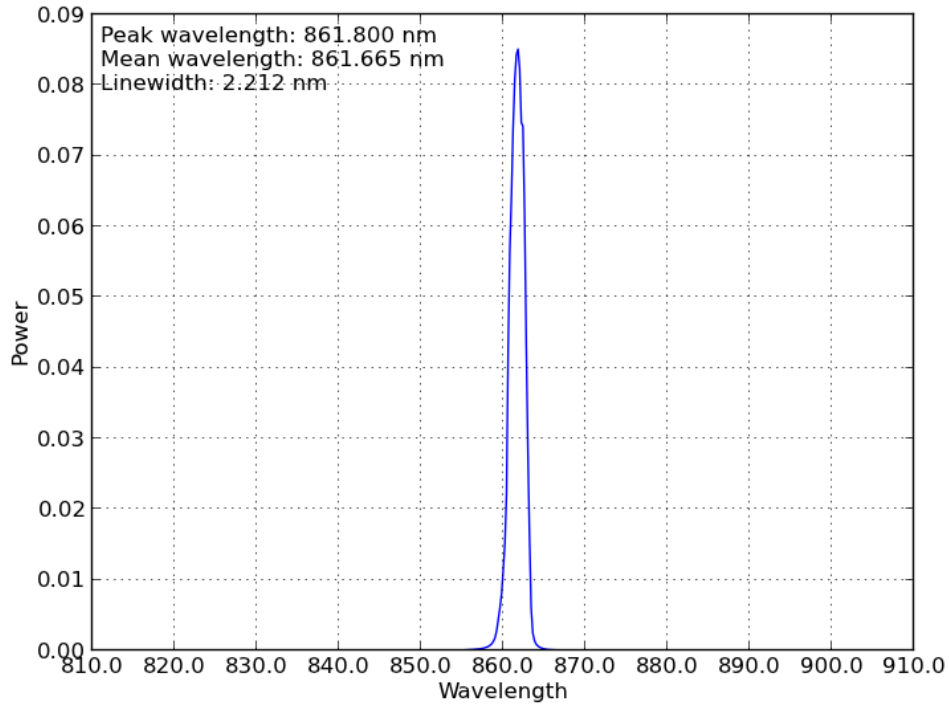
Parameter	Symbol	Rating	Unit
Forward Current	I_f	200	mA
Reverse Voltage	V_r	1.8	V
PD Reverse Voltage	V_{rd}	7	V
Minimum Operation Case Temperature	T_{ol}	-40	°C
Maximum Operation Case Temperature	T_{oh}	70	°C
Minimum Storage Temperature	T_{sl}	-40	°C
Maximum Storage Temperature	T_{sh}	70	°C
TEC Current	I_t	1.5	A

Packaging:

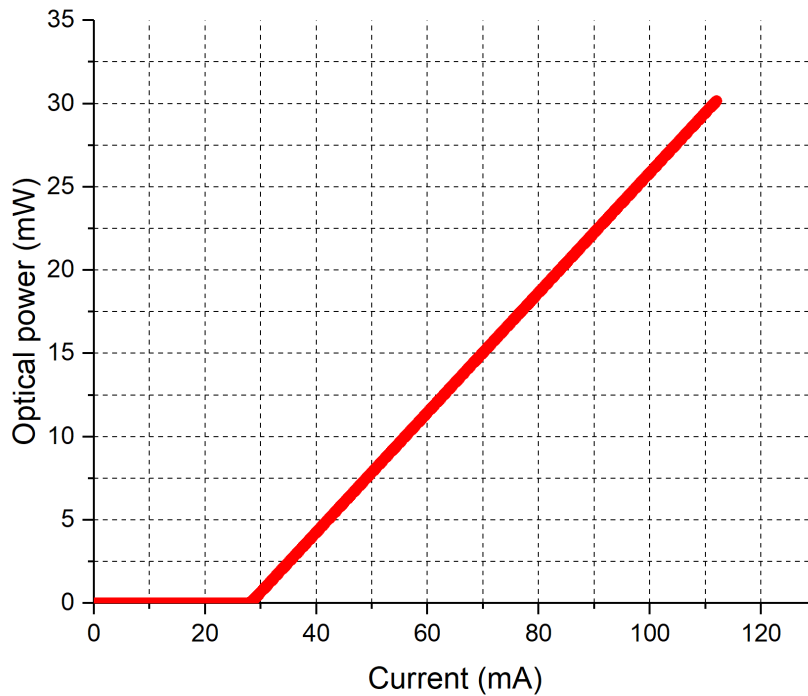
Butterfly Type 1 (Default):				Butterfly Type 2:			
№	Parameter	№	Parameter	№	Parameter	№	Parameter
1	Cooler anode +	8	NC	1	Thermistor	8	Case
2	Thermistor	9	NC	2	Thermistor	9	Case
3	PD anode -	10	LD anode +	3	LD DC cathode -	10	Case
4	PD cathode +	11	LD cathode -	4	PD anode -	11	LD anode +
5	Thermistor	12	NC	5	PD cathode +	12	LD RF cathode -
6	NC	13	Case	6	Cooler anode +	13	LD anode +
7	NC	14	Cooler cathode -	7	Cooler cathode -	14	NC



Emission spectrum:



L-I characteristic:



V-I characteristic:

