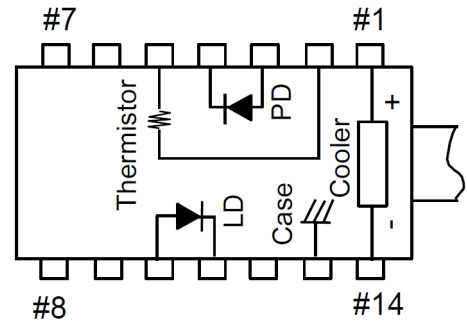


## 14-pin Butterfly package

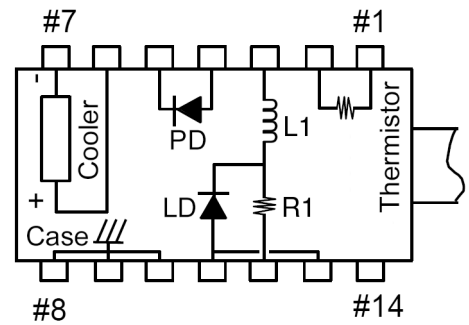
### Type 1:

No.	FUNCTION	No.	FUNCTION
1	Cooler anode +	8	NC
2	Thermistor	9	NC
3	PD anode -	10	LD anode +
4	PD cathode +	11	LD cathode -
5	Thermistor	12	NC
6	NC	13	Case
7	NC	14	Cooler cathode -



### Type 2:

No.	FUNCTION	No.	FUNCTION
1	Thermistor	8	Case
2	Thermistor	9	Case
3	LD DC bias cathode -	10	Case
4	PD anode -	11	LD anode +
5	PD cathode +	12	LD RF input cathode -
6	Cooler anode +	13	LD anode +
7	Cooler cathode -	14	NC



R1 = 20Ω; L1 = 180nH

